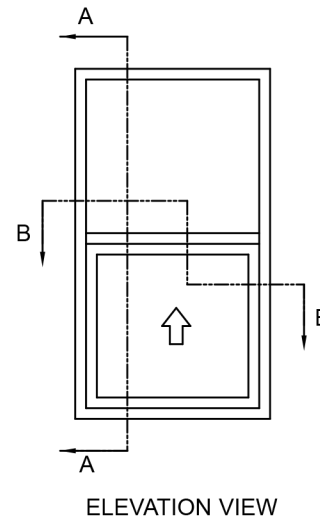
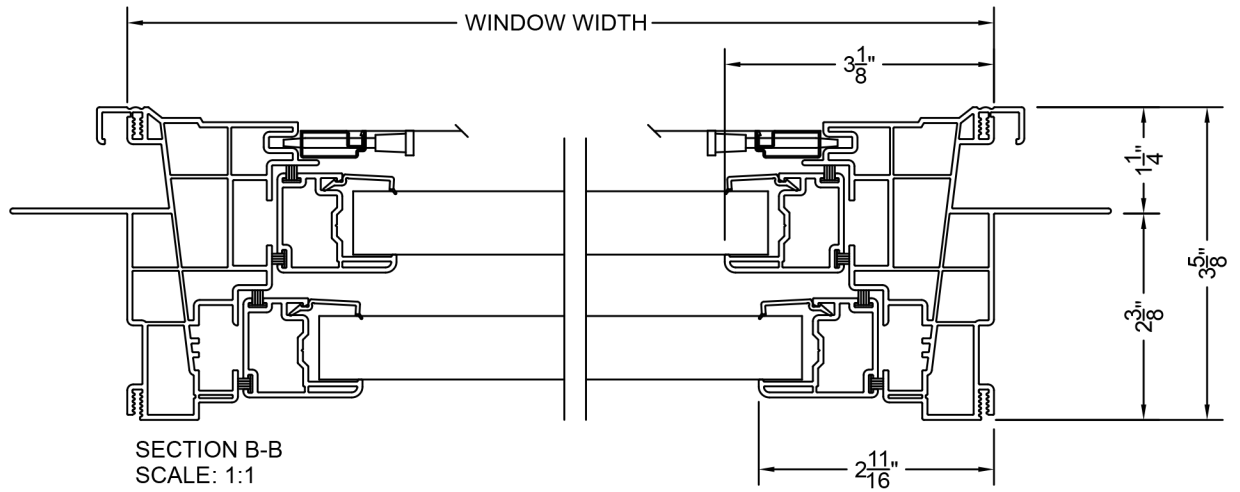
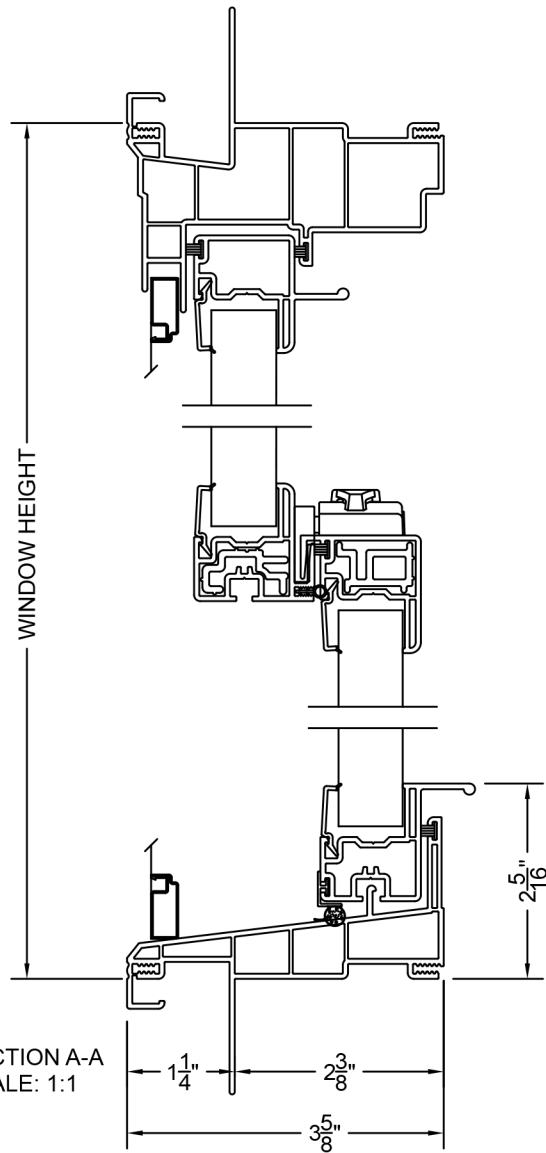


KASSON & KELLER INC. SERIES 300 DOUBLE HUNG CROSS-SECTION

10-01-10



COPYRIGHT 2010
THIS DRAWING AND ITS CONTENTS ARE
THE SOLE PROPERTY OF
KASSON & KELLER, INC.
ANY UNAUTHORIZED USE OR
REPRODUCTION IS STRICTLY PROHIBITED.



SHEET:
1
OF
1

DRAWN BY:
JPP
DRAWING #
300 SERIES DOUBLE HUNG