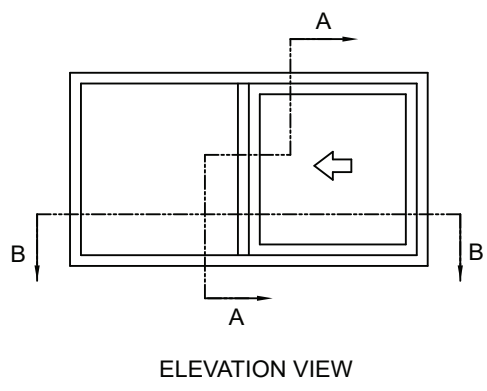
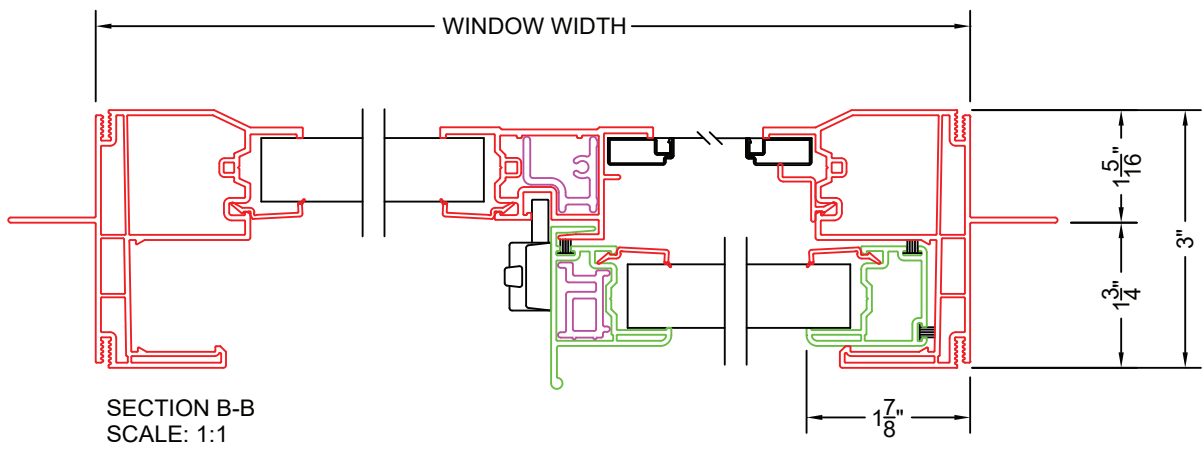
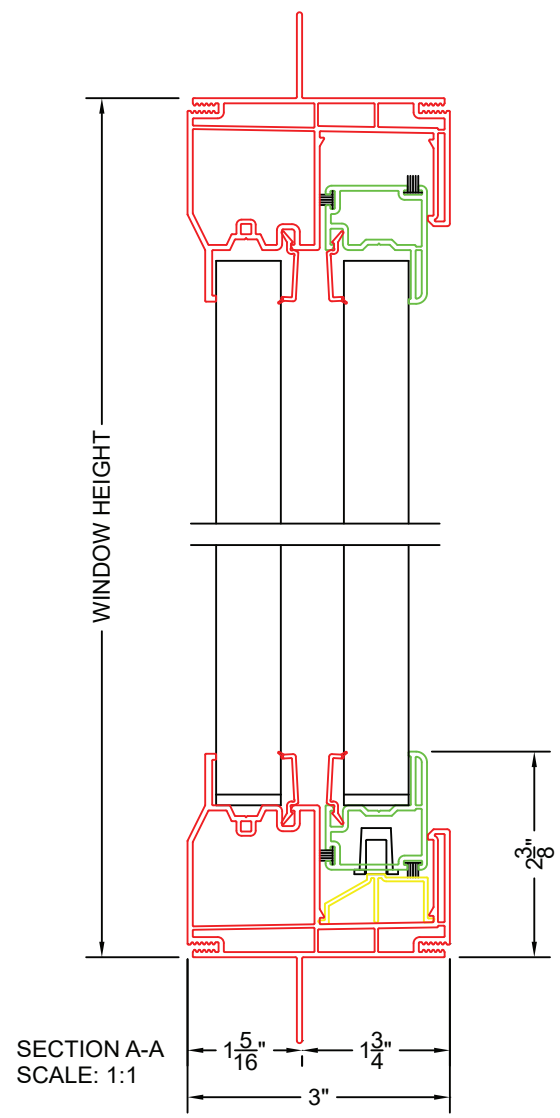


KASSON & KELLER INC. SERIES 280 XO SLIDER CROSS-SECTION

10-01-10



COPYRIGHT 2011
THIS DRAWING AND ITS CONTENTS ARE
THE SOLE PROPERTY OF
KASSON & KELLER, INC.
ANY UNAUTHORIZED USE OR
REPRODUCTION IS STRICTLY PROHIBITED.



SHEET:
1
OF
1

DRAWN BY: JPP

DRAWING #
280 SERIES XO SLIDER